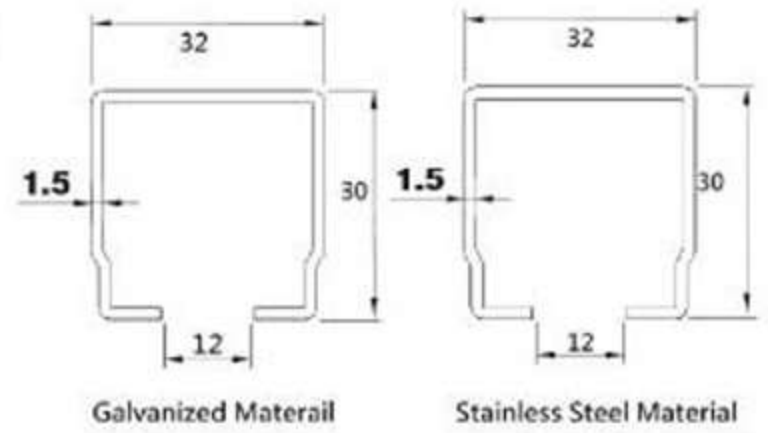
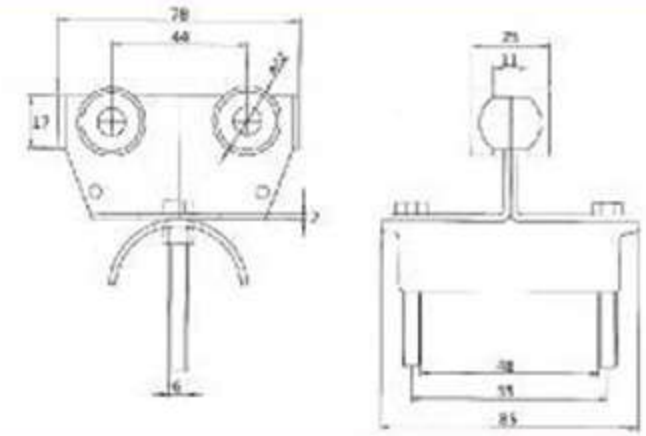


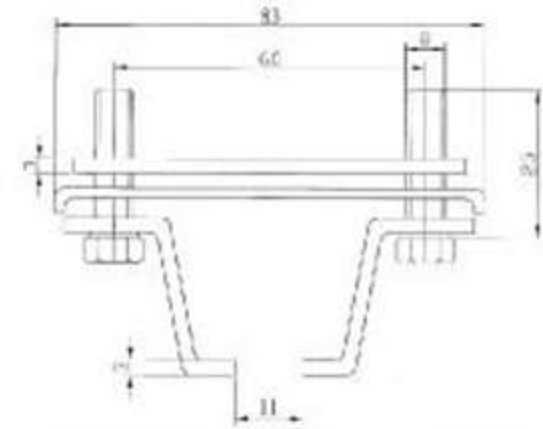
C Rail	
CH2011	Galvanization - 3 MTRS
CH2010	Galvanization - 4 MTRS
CH2201	Stainless Steel - 3 MTRS



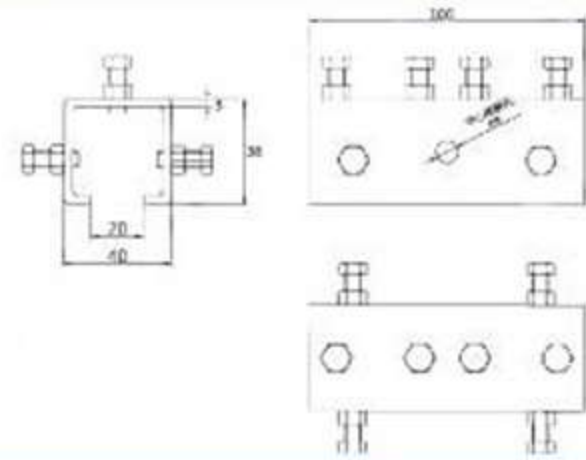
C Cable Trolley	
CH2020	Galvanization
CH2220-1	Stainless Steel



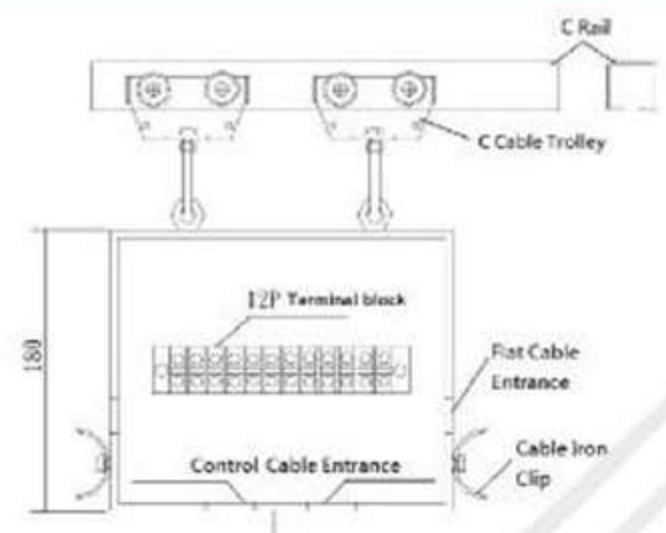
C Hanger	
CH2030	Galvanization
CH2240	Stainless Steel



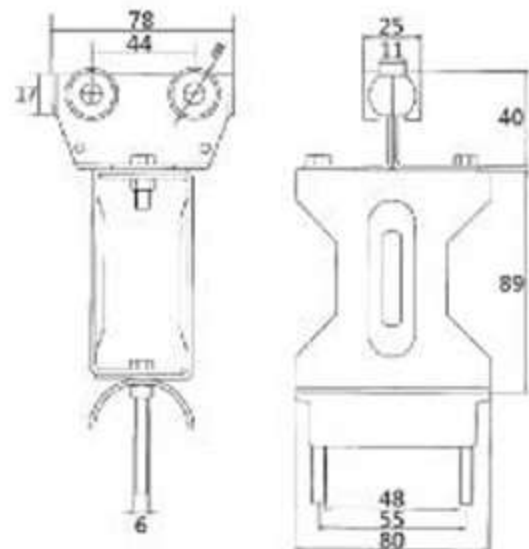
C Joiner	
CH2040	Galvanization
CH2230	Stainless Steel



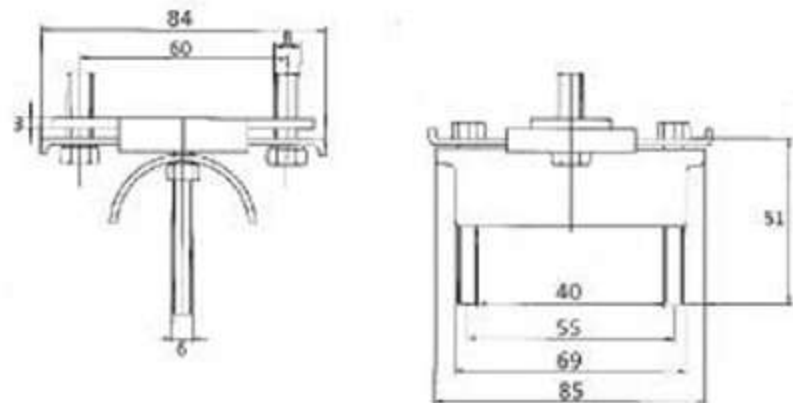
C Terminal Box	
CH2050	Galvanization (Include Terminal block)



C Towing Trolley	
CH2060	Galvanization
CH2250	Stainless Steel



C End Clamp	
CH2062	Galvanization
CH2260	Stainless Steel

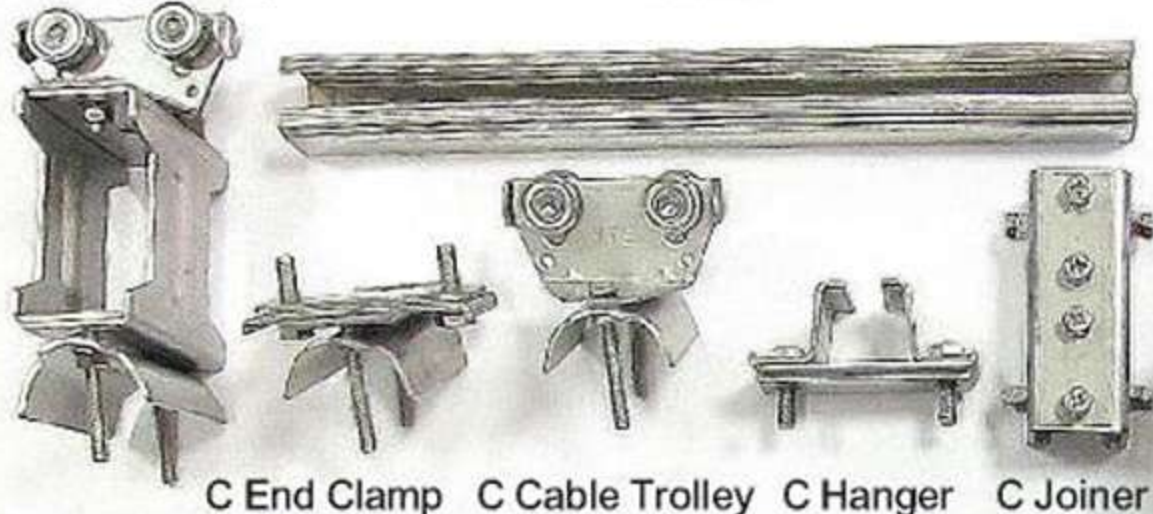


### C Rail Festoon System Accessories for All

[Stainless Steel]

C Towing Trolley

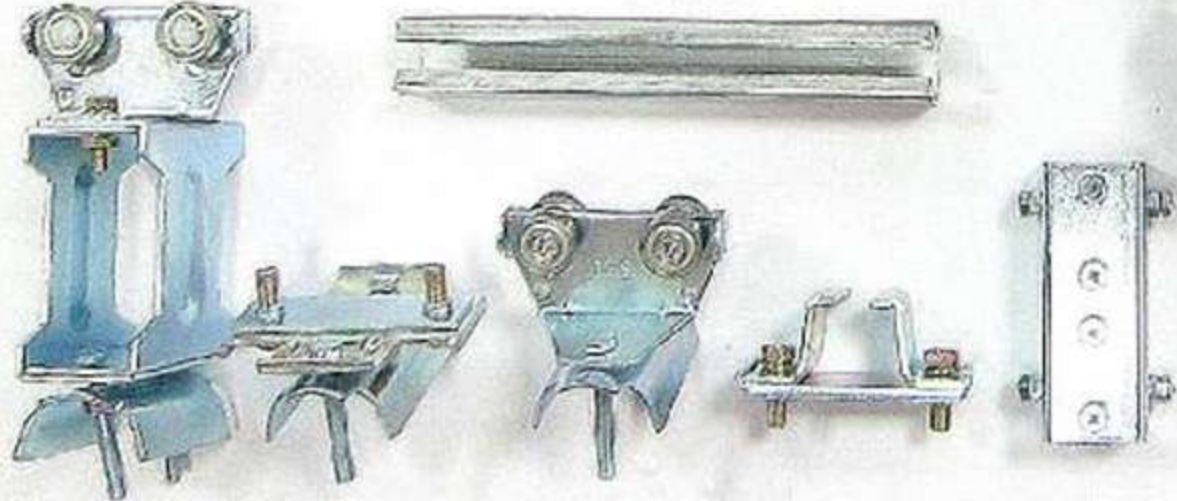
C Rail



C End Clamp C Cable Trolley C Hanger C Joiner

[Galvanization]

C Rail

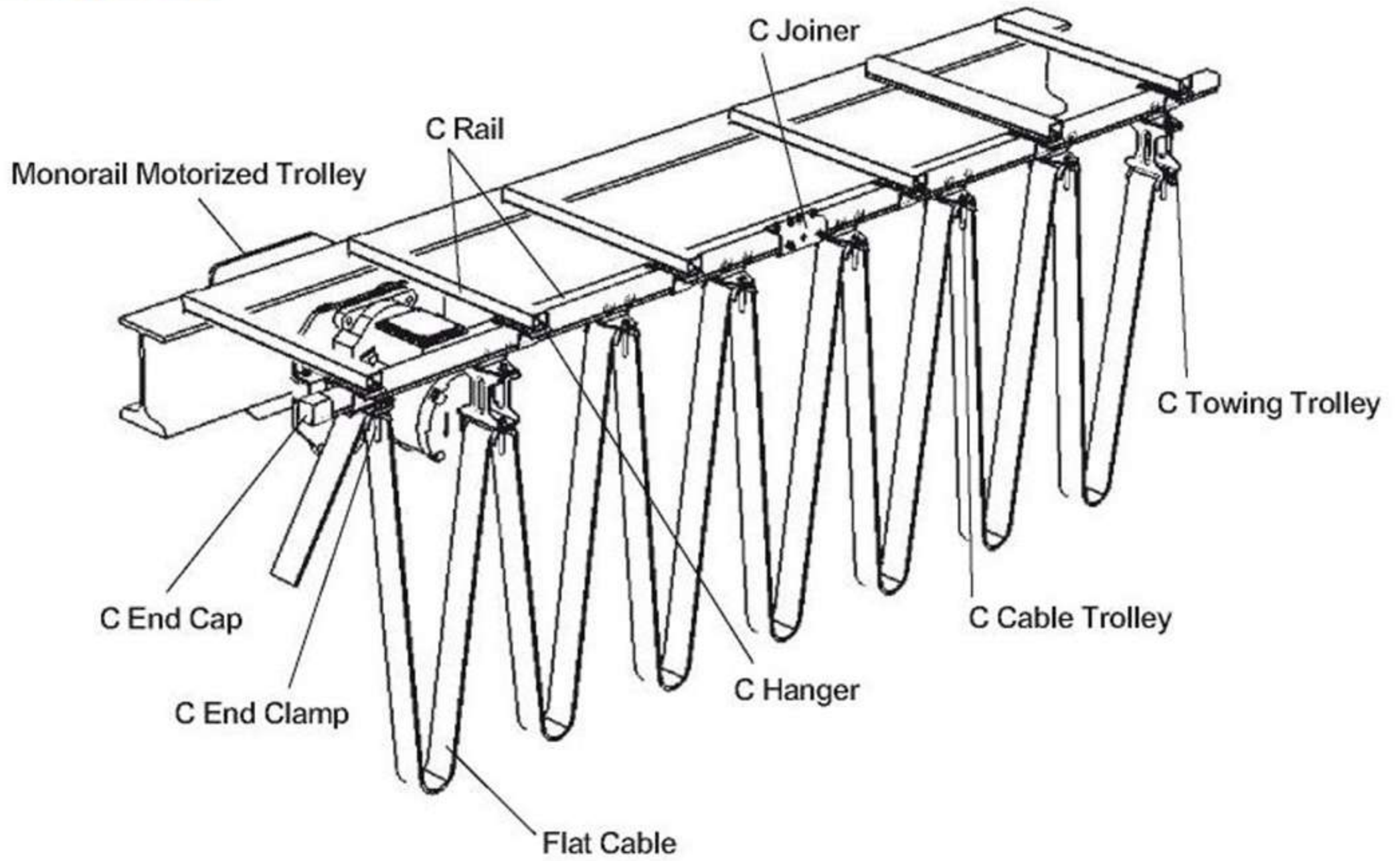


C Towing Trolley C End Clamp C Cable Trolley C Hanger C Joiner

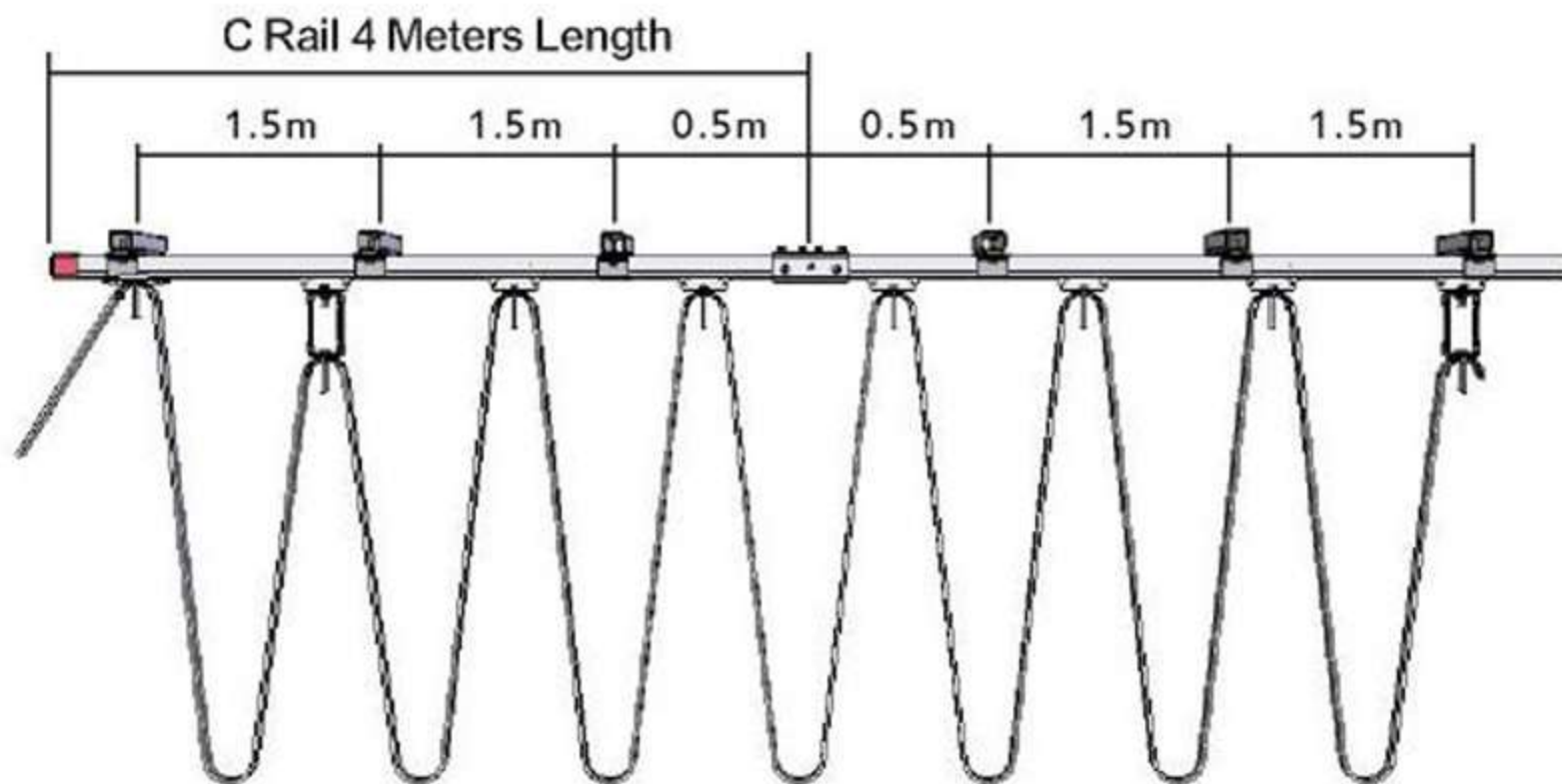


C Terminal Box  
(Include Terminal Block)  
[Galvanization]

## Installation Note.



## Installation Scheme :



- 1 ISO quality-certified.
- 2 Taiwan I.T.S. Stainless Steel C Rails are 304 grade with anti-oxidation, anti-acid, and anti-alkaline protection.
- 3 Ball bearing wheels of our Stainless Steel Cable Trolleys are also stainless steel.
- 4 Can be used on overhead bridge cranes, hoists, monorails, and gantry cranes.
- 5 Track is available in convenient lengths, and is easy to connect with simple C Joiner assembly.
- 6 C Rail System Cable Trolleys can support loads of 50 kg. (110 lbs.) each.
- 7 End clamps are suitable for use with both flat and round cable.
- 8 Recommended to mount C Hangers at 1.5 m (5.9 feet) intervals.

## C Rail Festoon System Construction

