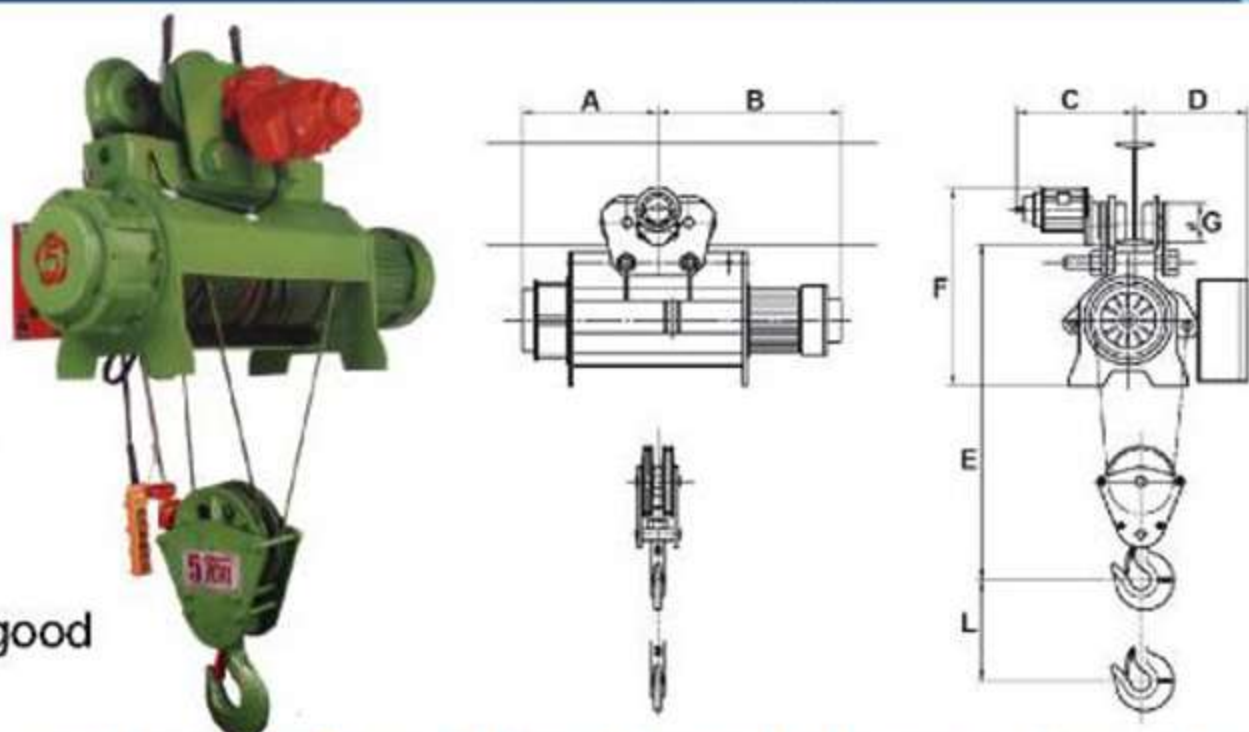


AV Type: Single Girder Electric Wire Rope Hoist

- Single-Girder Electric Wire Rope Hoist is fit for light industry with swift and convenient characteristic.
- The direct electromagnetic brake is accurate powerful and easily adjusted.
- The all-planetary deceleration gears are made of high frequency heat treated medium carbon steel.
- Using JIS Number 6 wire rope provides good quality and flexibility.



Single Girder Electric Wire Rope Hoist - Specifications/ Dimensions(mm)

Loading TONS	Model	Lifting Height (M)	Hoisting		Trolley					Wire Rope		Approximate Size (m/m)								Hook to Runway	Weight (kg)	
			Lifting Speed	Motor (kw)	Trolley Speed				Motor (kw)	Diameter (mm)	Reeving											
					60Hz		50Hz															
					I Beam	H Beam	I Beam	H Beam				A	B	C	D	E	F	G	L			
1	AV011	5.26 11.10	7.2	6	1.5	19.1	17.6	15.9	14.7	0.37	8	1/2	290 380	395 485	435 440	350 340	790 850	545 565	127 140	5.26 11.10	500	200 240
2	AV011	5.55	3.6	3	1.5	17.4	15.8	14.5	13.2	0.37	8	1/4	380	485	440	340	850	565	140	5.55	600	247
		8.79											8.79	276								
		12.03											12.03	304								
	AV022	5.17	7.2	6	3	17.4	15.8	14.5	13.2	0.37	8	2/4	400	580	440	385	845	660	140	5.17	600	342
		9.05											9.05	371								
		12.20											12.20	399								
AV023	10.03	7.2	6	3	17.4	15.8	14.5	13.2	0.37	10	1/2	400	580	440	385	845	660	140	10.03	600	333	
	16.71											16.71	361									
	22.12											22.12	390									
3	AV031	5.01	3.6	3	3	14	12.8	11.7	10.7	0.50	10	1/4	400	580	485	385	1040	670	163	5.01	700	361
		8.36											8.36	399								
		11.06											11.06	418								
	AV032	4.20	7.2	6	4.5	14	12.8	11.7	10.7	0.50	10	2/4	400	580	485	385	990	670	163	4.20	700	352
		7.54											7.54	390								
		10.24											10.24	409								
AV033	7.76	7.2	6	4.5	14	12.8	11.7	10.7	0.50	12	1/2	400	580	485	385	990	670	163	7.76	700	361	
	13.17											13.17	390									
	17.55											17.55	418									
5	AV051	5.24	3.2	2.7	4.5	14.5	13.4	12.1	11.2	0.50	12	1/4	420	600	485	430	1205	760	187.5	5.24	800	485
		8.71											8.71	532								
		12.26											12.26	570								
	AV052	4.24	6.4	5.3	7.5	14.5	13.4	12.1	11.2	0.50	12	2/4	425	615	485	430	1135	760	187.5	4.24	800	485
		7.71											7.71	532								
		7.85											7.85	485								
AV053	13.46	6.4	5.3	7.5	14.5	13.4	12.1	11.2	0.50	16	1/2	545	728	485	430	1500	773	185	13.46	800	532	
	19.20											19.20	570									
	6.09											6.09	618									
AV071	9.11	3.2	2.7	5.6	14.6	13.4	12.2	11.2	0.50	14	1/4	595	785	505	450	1365	885	204	9.11	900	675	
	12.34											12.34	732									
	5.03											5.03	620									
AV072	8.06	4.8	4	9	14.6	13.4	12.2	11.2	0.50	14	2/4	615	785	505	450	1280	545	127	5.26	500	620	
	11.29											11.29	680									
	5.55											5.55	740									
10	AV101	6.55	2.9	2.4	7.5	14.9	13.6	12.4	11.3	0.50	16	1/4	505	675	515	475	1645	565	140	8.79	600	727
		9.84											9.84	782								
		13.36											13.36	852								
	AV102	5.02	4.8	4	11	14.9	13.6	12.4	11.3	0.50	16	2/4	520	790	515	475	1545	660	140	9.05	600	766
		8.32											8.32	828								
		11.83											11.83	924								