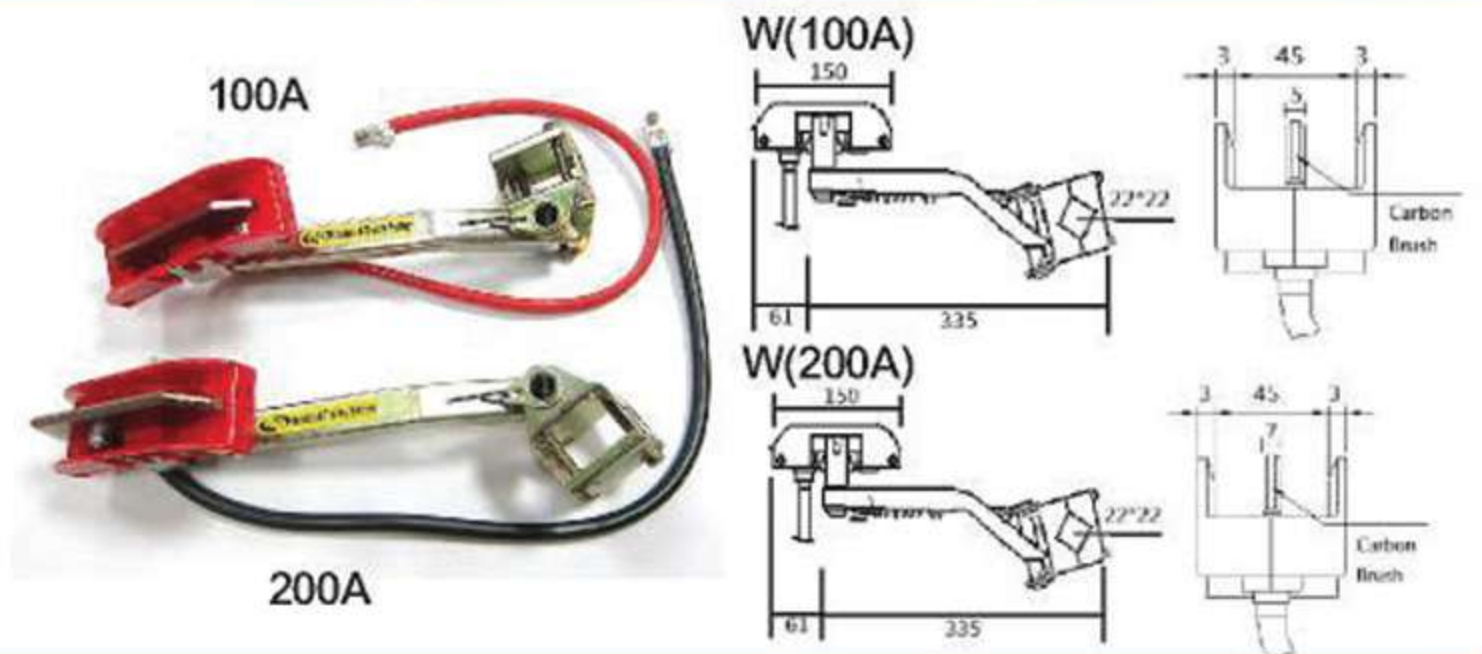


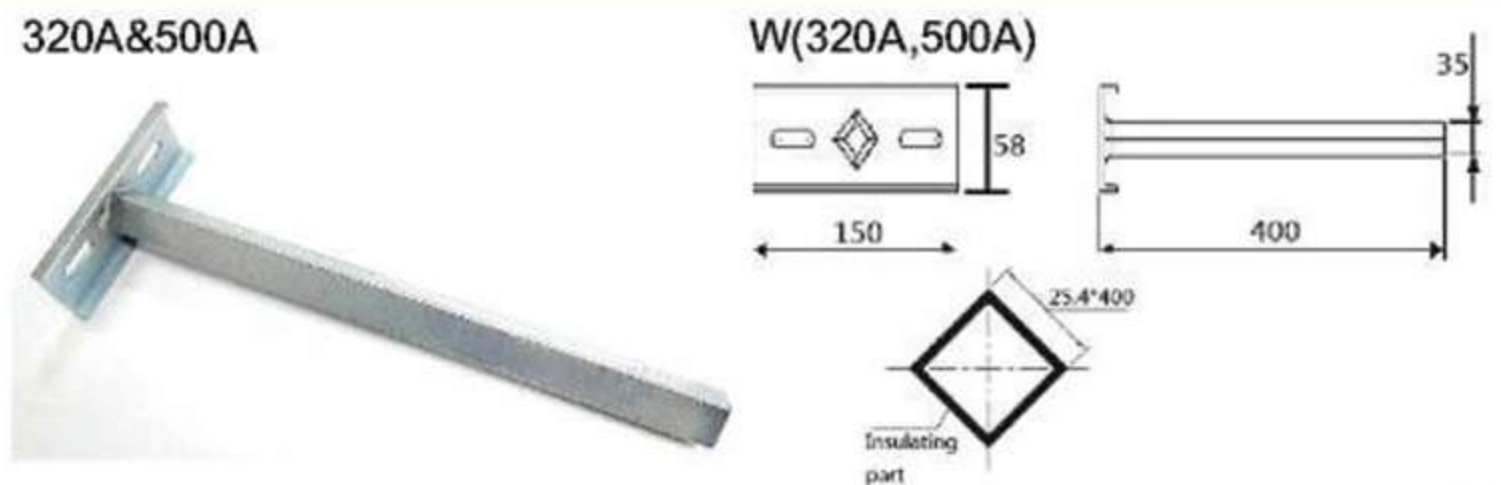
W Bus Bar	
CH7002-2	320A (Copper+ Aluminum Material- 4MTRS)
CH7003	320A (Stainless Steel+ Aluminum Material- 4MTRS)
CH7501-2	500A (Stainless Steel+ Aluminum Material- 4MTRS)



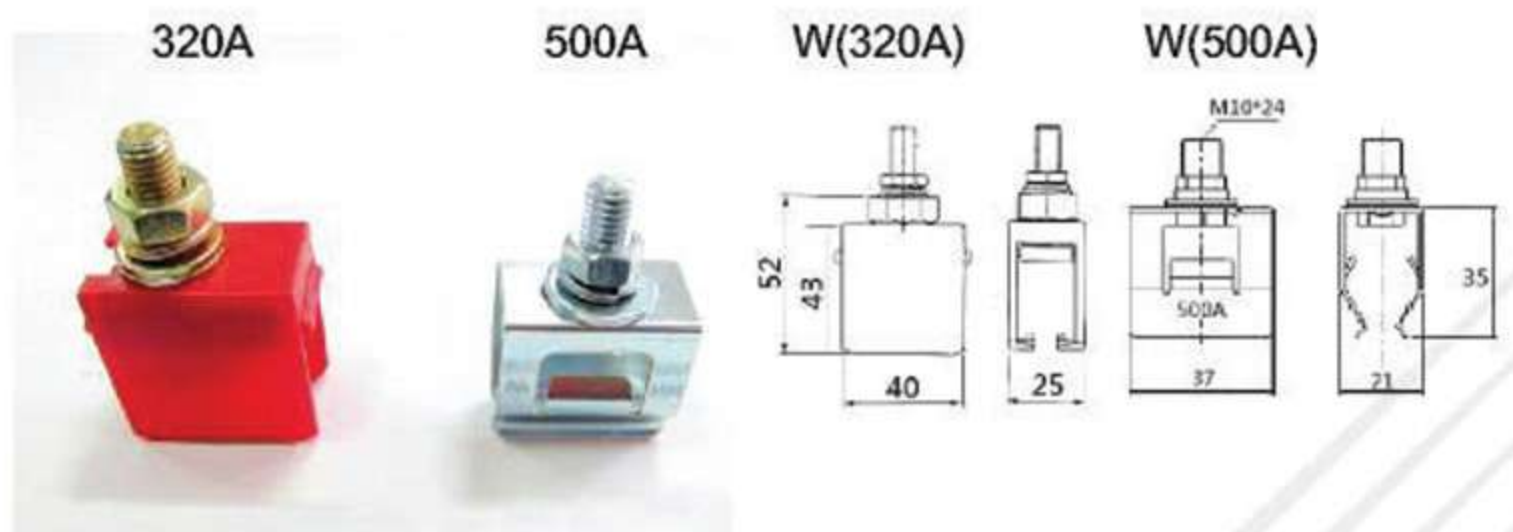
W Collector	
CH7040	100A
CH7504	200A



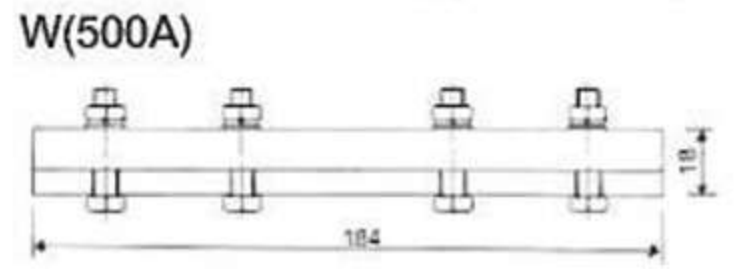
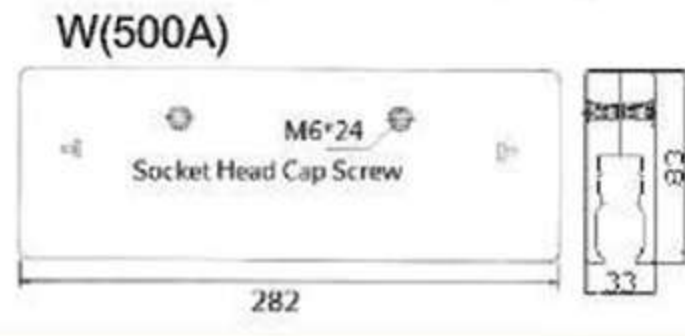
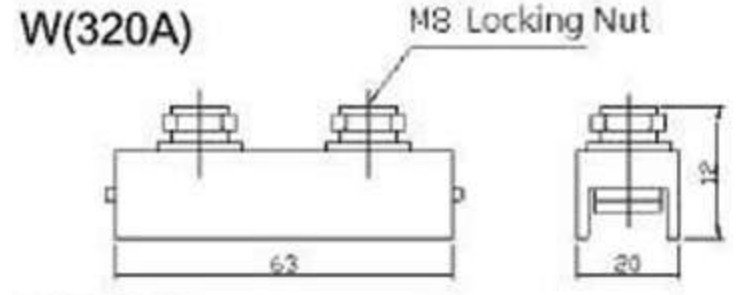
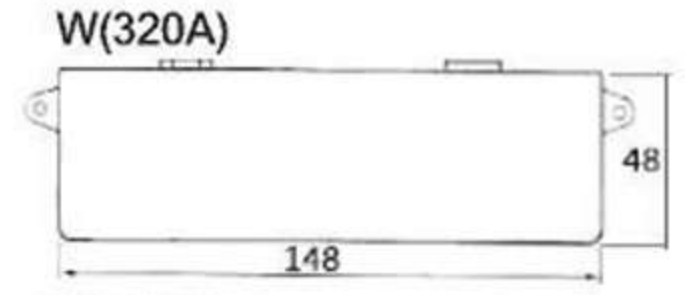
W Fixed Rod	
CH7060	25.4*400mm Big Size



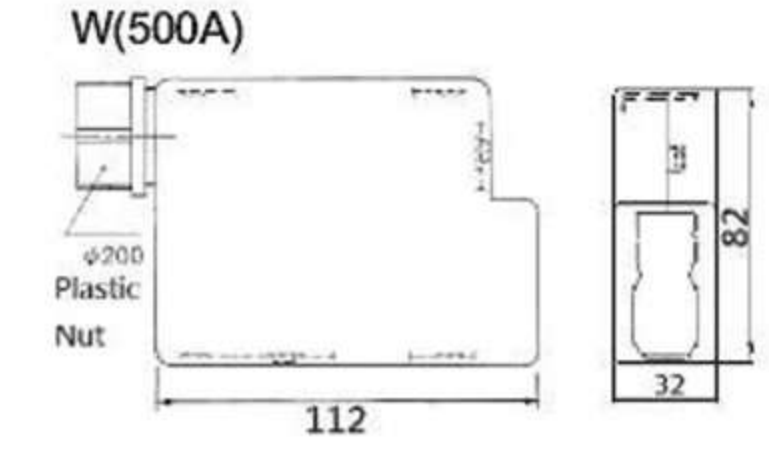
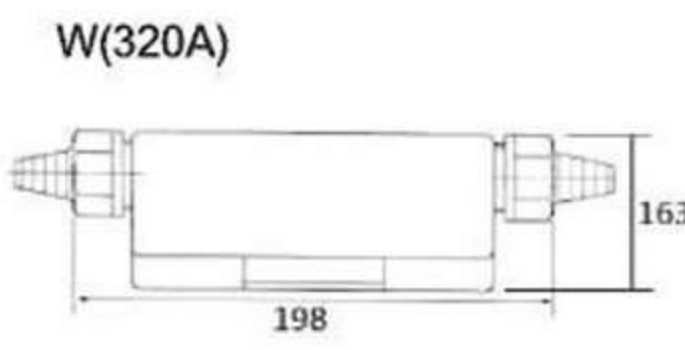
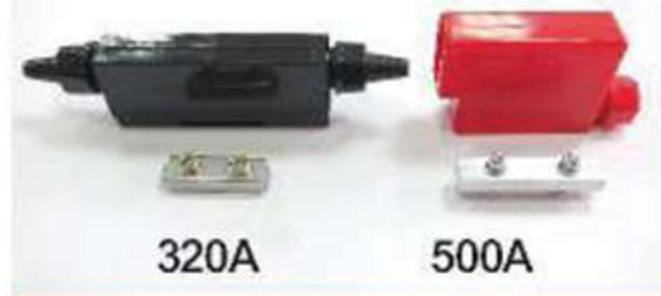
W Hanger	
CH7020	320A
CH7502	500A



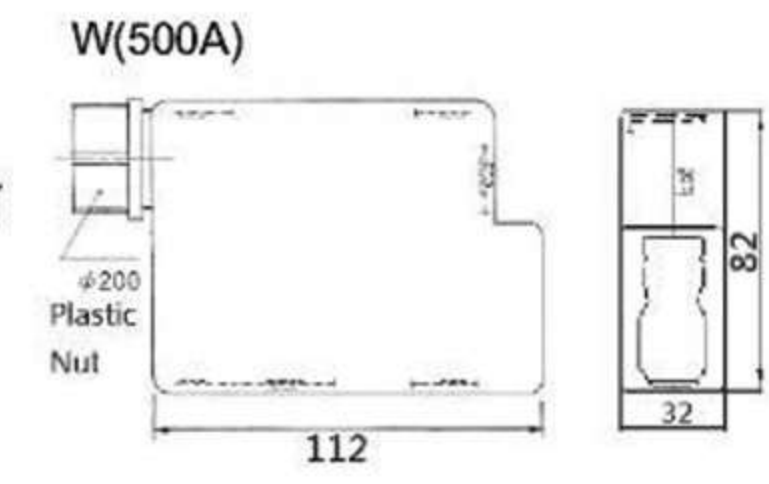
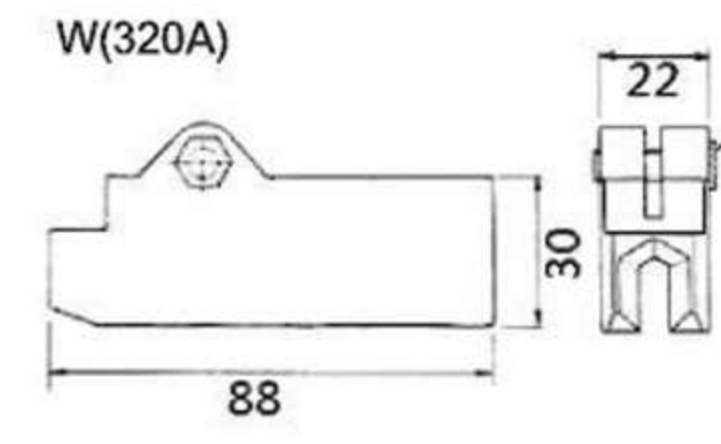
W Connector	
CH7030	320A
CH7503	500A



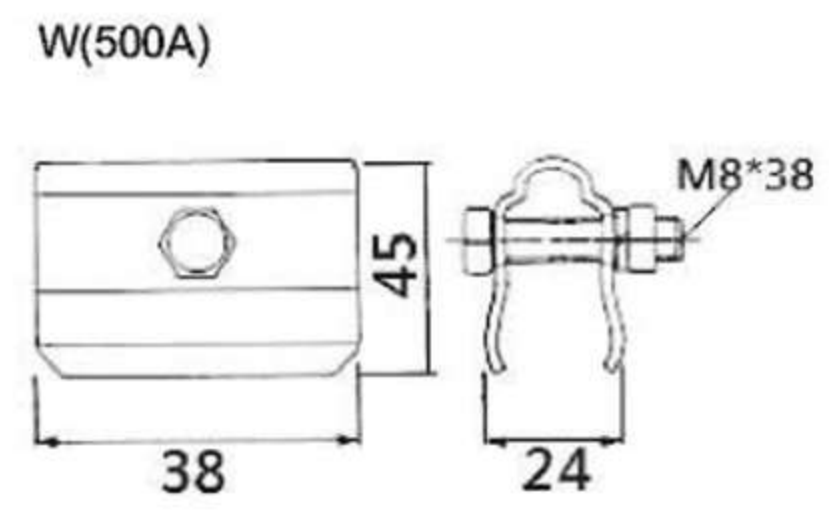
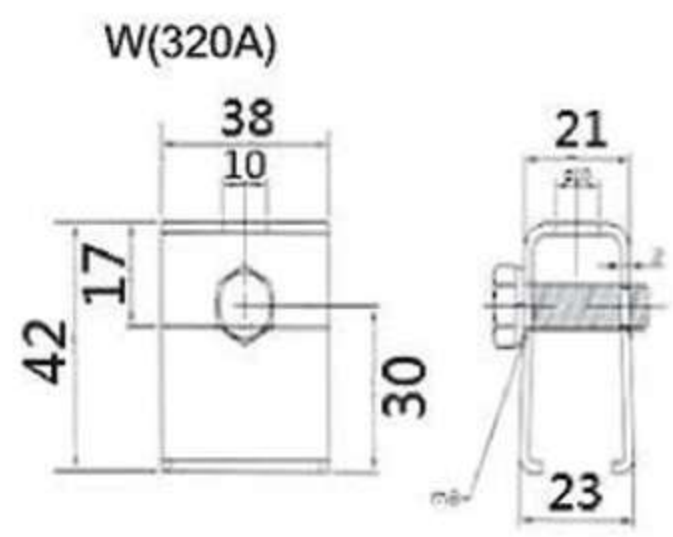
W Power Feed Cover	
CH7008	320A
CH7508	500A



W End Cap	
CH7070	320A
CH7506	500A



W Anchor Clamp	
CH7090	320A
CH7507	500A

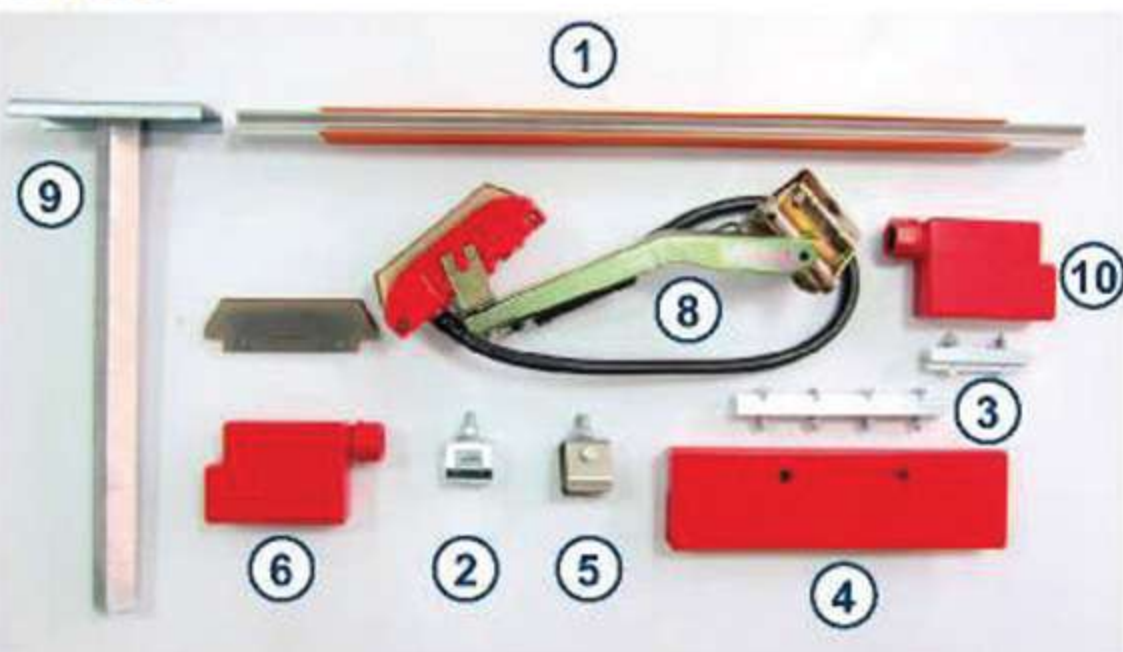


W Bus Bar System 320A & 500A Accessories for All

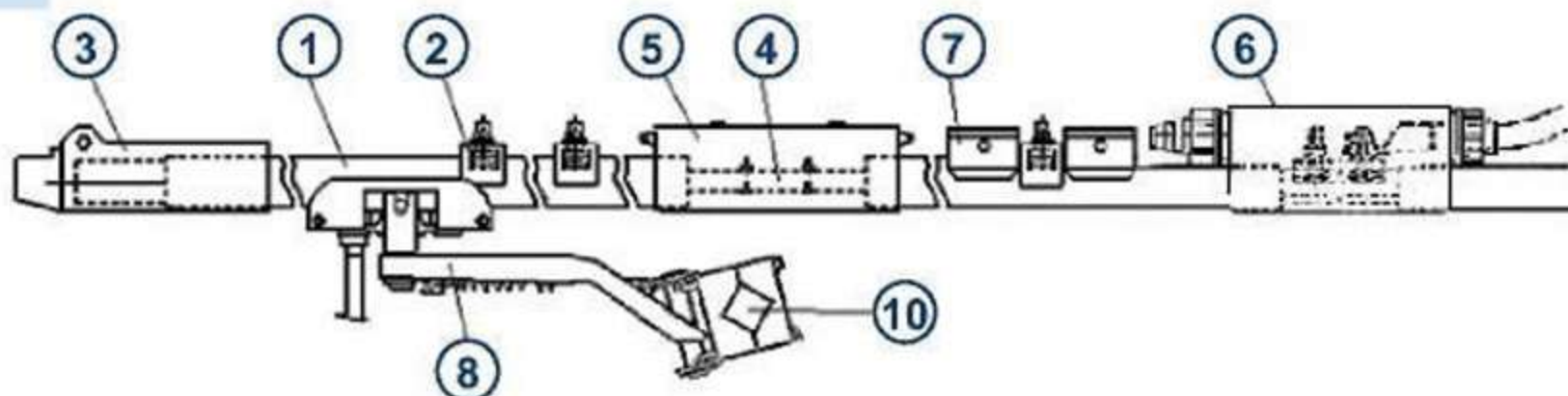
320A



500A



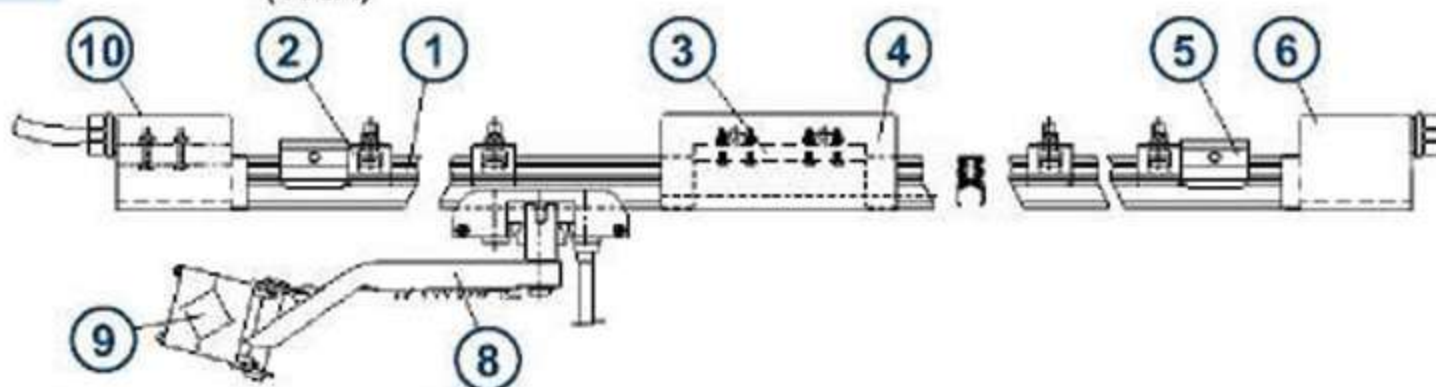
W (320A) Accessories



-  1 W Bus Bar (320A)
-  2 Hanger
-  3 End Cap
-  4 Connector
-  5 Connector Cover
-  6 Power Feed Cover (320A)
-  7 Anchor Clamp

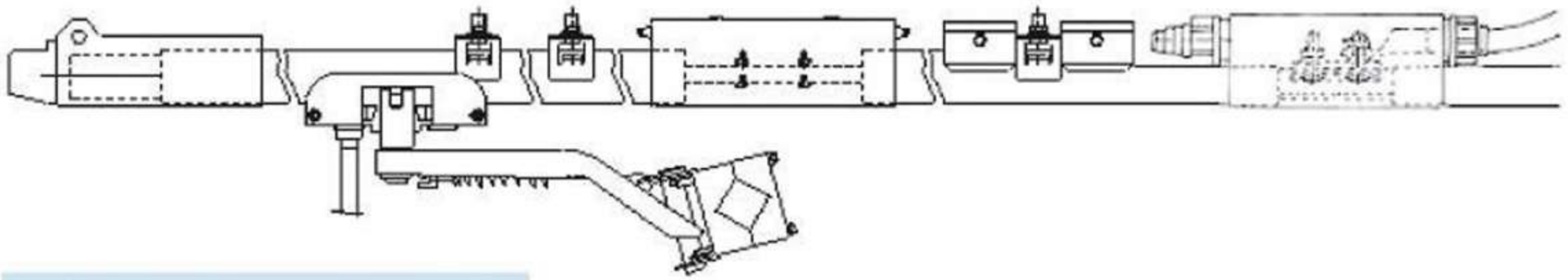
-  8 W Collector (100A)
-  10 Fixed Rod (Big)

W (500A) Accessories

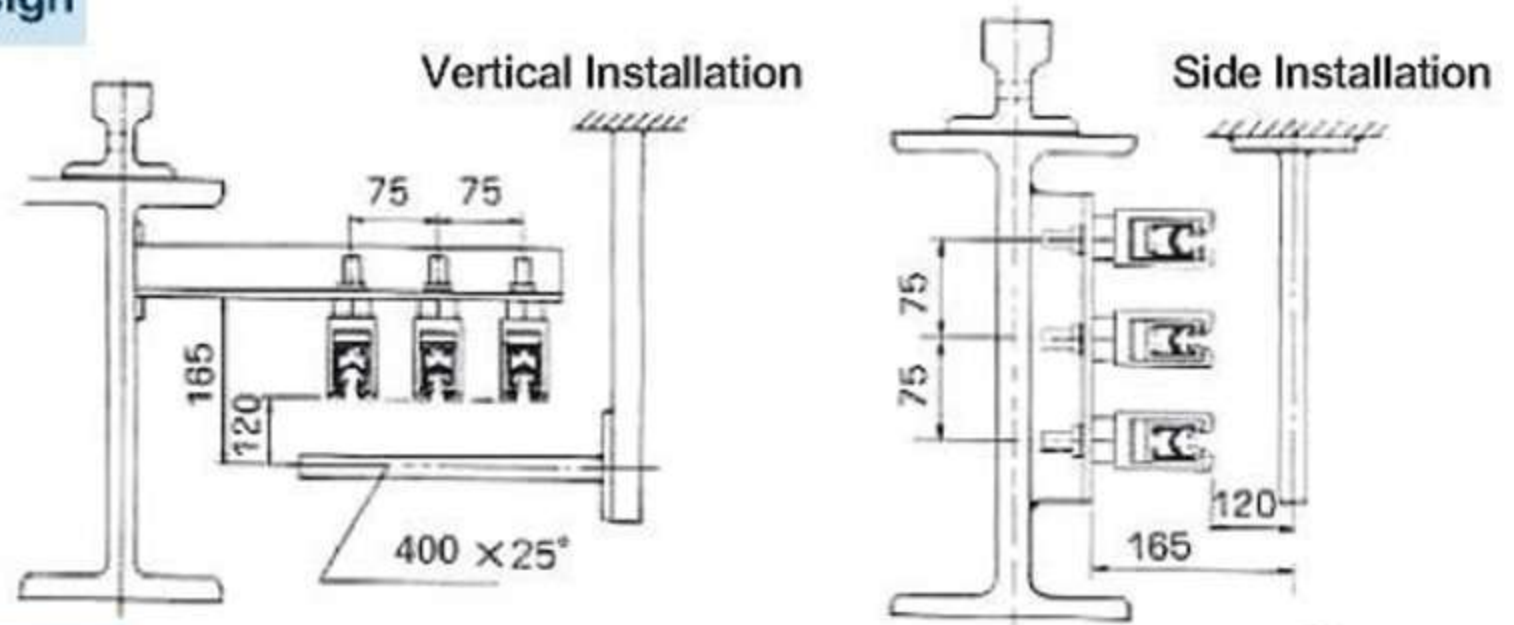


-  1 W Bus Bar (500A)
 -  2 Hanger
 -  3 Connector
 -  4 Connector Cover
 -  5 Anchor Clamp
 -  6 End Cap (Without Connector)
-  8 W Collector (200A)
 -  9 Fixed Rod (Big)
 -  10 Power Feed Cover (With Connector) (500A)

W Bus Bar System Supports Diagram



W Bus Bar Construction Design

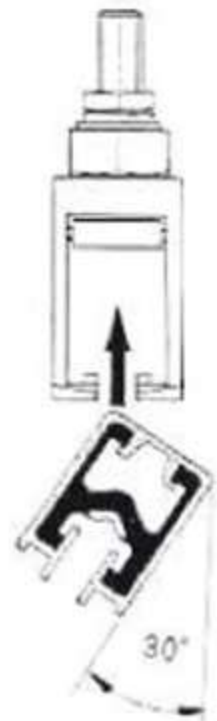


W Collector Brush Installation

Put the collector brush parallel with the bus bar, and fasten it on to the insulating fixed rod.

W Hanger Installation

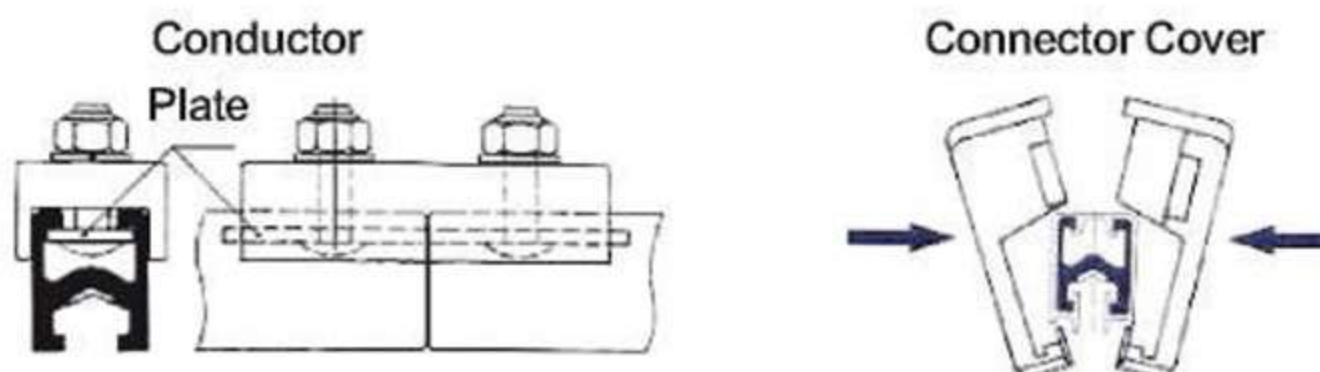
Push the bus bar into the opening of the hanger at a 30 degree angle, and then insert fully.



W Connector & Connector Cover Installation

Connector : Loosen screws on connector and plug into groove on top of bus bar, and then tighten to connect the two bus bars.

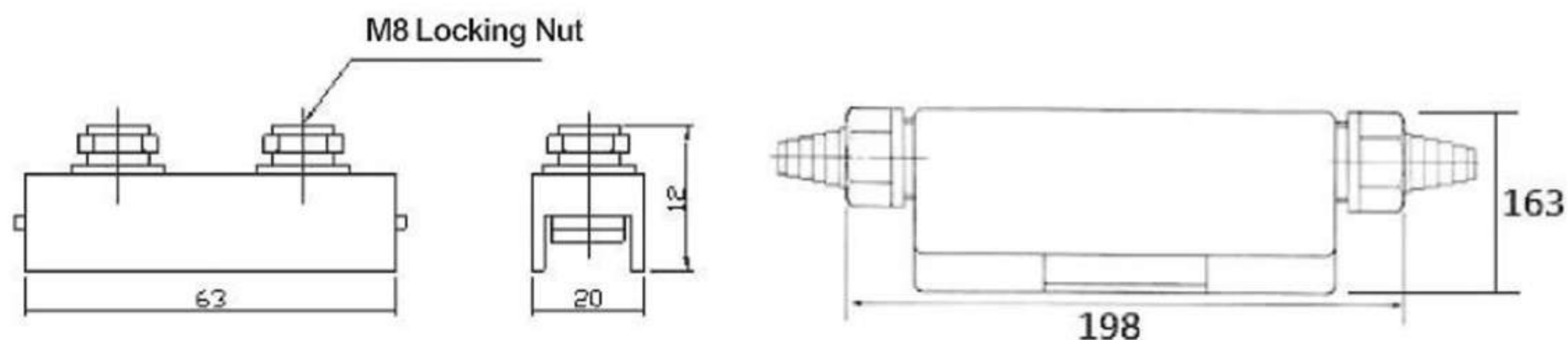
Connector Cover : Open the cover, hook from bus bar bottom to top at a 30 degree angle and combine them together.



W Bus Bar System Supports Diagram

W Power Feed Cover Installation

Power Feed Cover : Loosen the plastic nut of the power feed cover, cut out an appropriately sized hole according to power cord diameter, tighten and close the cover



W Anchor Clamp & End Cap Installation

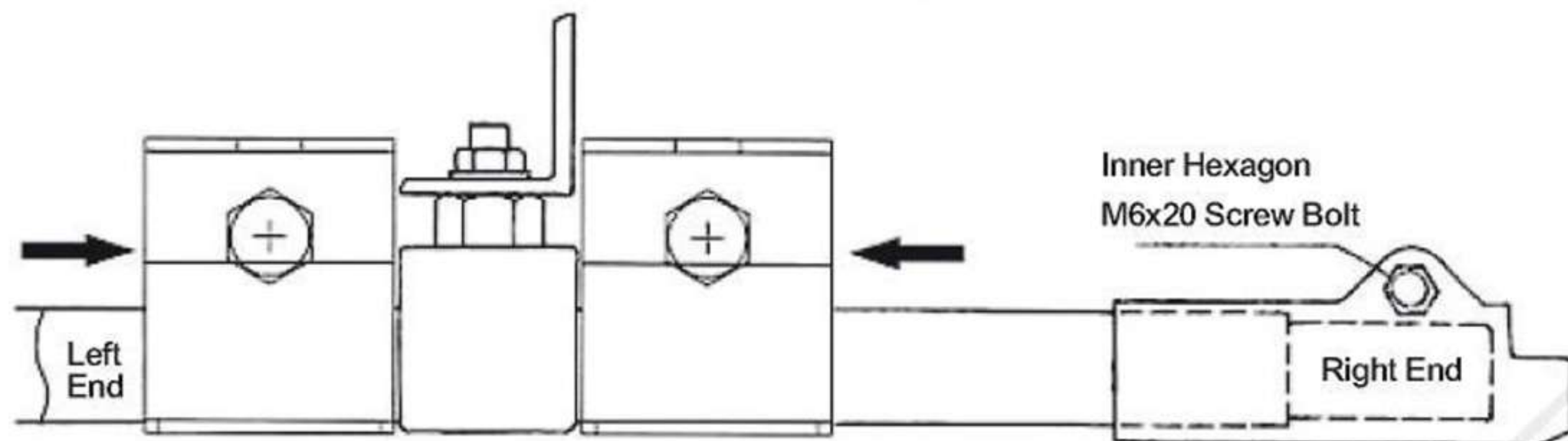
Anchor Clamp :

A-1) Fix two anchor clamps at both ends of the bus bar to double protect the bus bar from moving between the bus bar hangers.

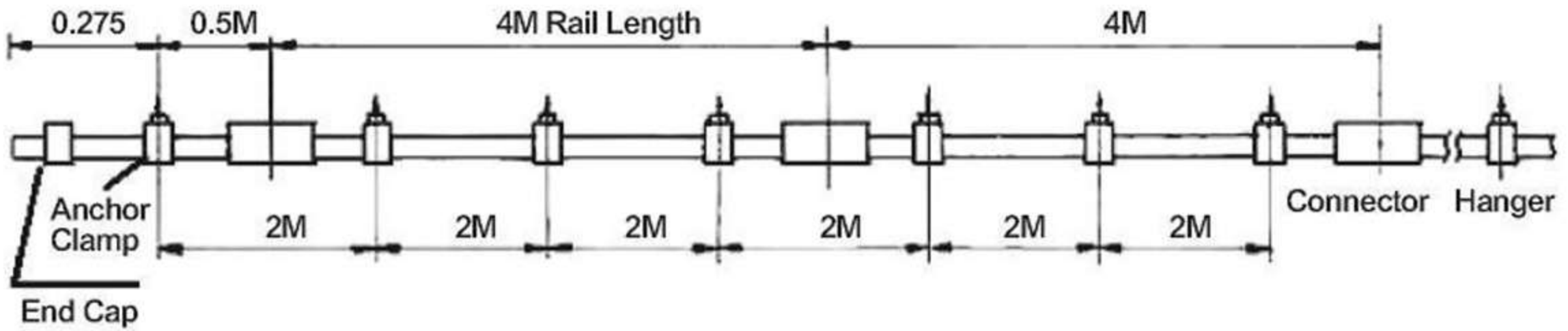
A-2) Fix two end anchor clamps before installing the hangers, then when all hangers are installed lock an M6 inner hexagon screw bolt onto the anchor clamp with a wrench.

End Cap :

Insert the end cap to the end of the bus bar, and screw in an M6*20 Inner Hexagon Screw Bolt. The end of the bus bar should be 35mm longer than the insulation plastic.



W Bus Bar System Construction



3 PHASE POWER SUPPLY: BUSBAR SYSTEM ORDER SPECIFICATION

W320 (Conductor Material: Copper)								
Total Length	W Busbar	W Busbar	Connector	Power Feed Cover	End Cap	Anchor Clamp	Collector (100A)	Fixed Rod
Model	CH7002-2	CH7020	CH7030	CH7008	CH7070	CH7090	CH7040	CH7060
30Mtrs	23 pcs	15 pcs	17 pcs	3 pcs	6 pcs	6 pcs	1 SET	1 pcs
70Mtrs	53 pcs	35 pcs	47 pcs	3 pcs	6 pcs	6 pcs	1 SET	1 pcs
135Mtrs	102 pcs	68 pcs	96 pcs	3 pcs	6 pcs	6 pcs	1 SET	1 pcs
300Mtrs	225 pcs	150 pcs	219 pcs	3 pcs	6 pcs	6 pcs	1 SET	1 pcs
W500 (Conductor Material: Stainless Steel)								
Total Length	W Busbar	W Busbar	Connector	Power Feed Cover	End Cap	Anchor Clamp	Collector (200A)	Fixed Rod
Model	CH7501-2	CH7502	CH7503	CH7508	CH7506	CH7507	CH7504	CH7060
30Mtrs	23 pcs	15 pcs	17 pcs	3 pcs	6 pcs	6 pcs	1 SET	1 pcs
70Mtrs	53 pcs	35 pcs	47 pcs	3 pcs	6 pcs	6 pcs	1 SET	1 pcs
135Mtrs	102 pcs	68 pcs	96 pcs	3 pcs	6 pcs	6 pcs	1 SET	1 pcs
300Mtrs	225 pcs	150 pcs	219 pcs	3 pcs	6 pcs	6 pcs	1 SET	1 pcs

4 PHASE POWER SUPPLY: BUSBAR SYSTEM ORDER SPECIFICATION

W320 (Conductor Material: Copper)								
Total Length	W Busbar	W Busbar	Connector	Power Feed Cover	End Cap	Anchor Clamp	Collector (100A)	Fixed Rod
Model	CH7002-2	CH7020	CH7030	CH7008	CH7070	CH7090	CH7040	CH7060
40Mtrs	40 pcs	20 pcs	32 pcs	4 pcs	8 pcs	8 pcs	1 SET	1 pcs
80Mtrs	80 pcs	40 pcs	72 pcs	4 pcs	8 pcs	8 pcs	1 SET	1 pcs
276Mtrs	276 pcs	138 pcs	268 pcs	4 pcs	8 pcs	8 pcs	1 SET	1 pcs
400Mtrs	400 pcs	200 pcs	392 pcs	4 pcs	8 pcs	8 pcs	1 SET	1 pcs
W500 (Conductor Material: Stainless Steel)								
Total Length	W Busbar	W Busbar	Connector	Power Feed Cover	End Cap	Anchor Clamp	Collector (200A)	Fixed Rod
Model	CH7501-2	CH7502	CH7503	CH7508	CH7506	CH7507	CH7504	CH7060
40Mtrs	40 pcs	20 pcs	32 pcs	4 pcs	8 pcs	8 pcs	1 SET	1 pcs
80Mtrs	80 pcs	40 pcs	72 pcs	4 pcs	8 pcs	8 pcs	1 SET	1 pcs
276Mtrs	276 pcs	138 pcs	268 pcs	4 pcs	8 pcs	8 pcs	1 SET	1 pcs
400Mtrs	400 pcs	200 pcs	392 pcs	4 pcs	8 pcs	8 pcs	1 SET	1 pcs